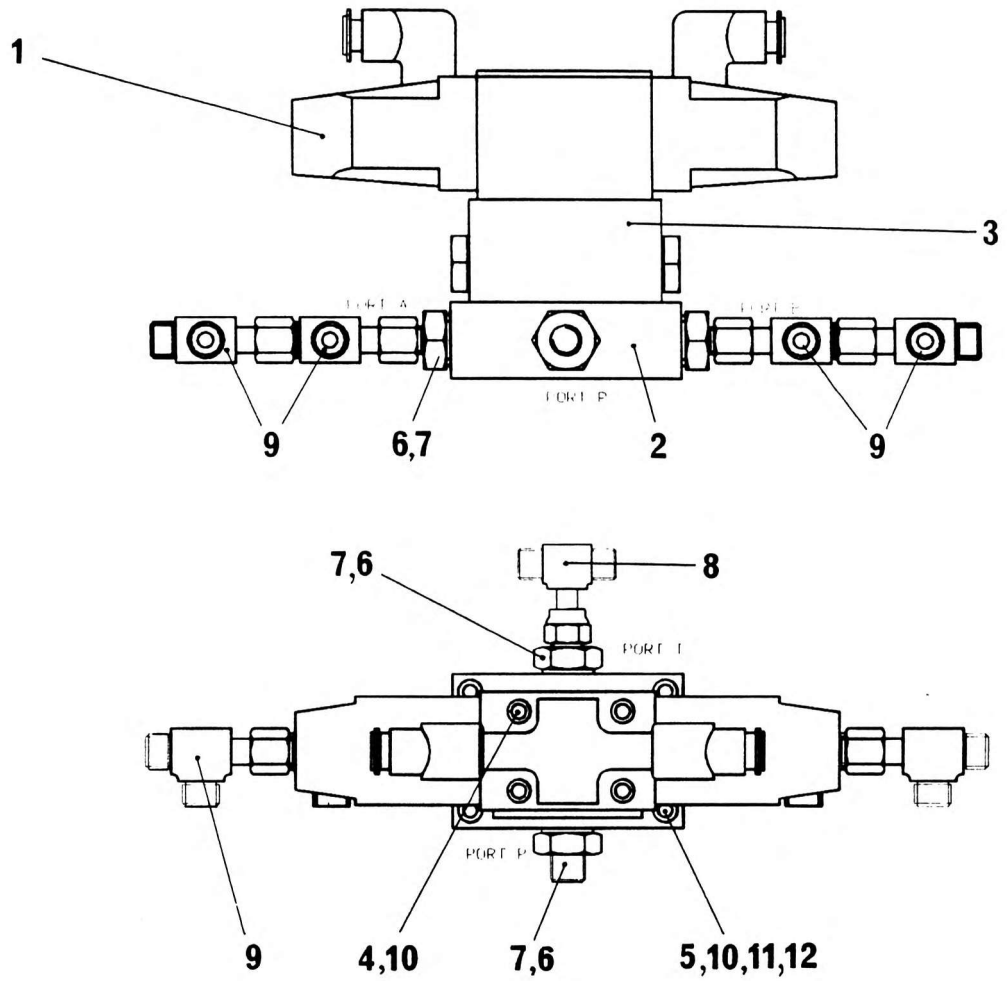


VALVE ASSEMBLY - AXLE LOCKS



NO.	PART NO.	QTY.	DESCRIPTION	NO.	PART NO.	QTY.	DESCRIPTION
1 +	7-926-990299	1	Double Acting Solenoid Valve				
2	8592964	1	Solenoid Subplate				
3 +	7-926-990470	1	Valve Pilot Check				
4	7097657	4	Socket Head Cap Screw M5 x 90 Long				
5	7097613	4	Screw Socket Head Cap M5 x 35 Long				
6	7-443-990912	4	Adaptor $\frac{3}{8}$ " BSP/ORFS				
7	7355204	4	Bonded Seal $\frac{3}{8}$ " BSP				
8	7-447-060635	1	Branch Tee				
9	7-447-060634	4	Female Run Tee				
10	7-661-130003	4	M5 Nut				
11	7067217	4	Washer Spring M5				
12	7066535	4	Washer Plain M5				

+ See further breakdown in this group

6-926-990476  
Issue No. 00